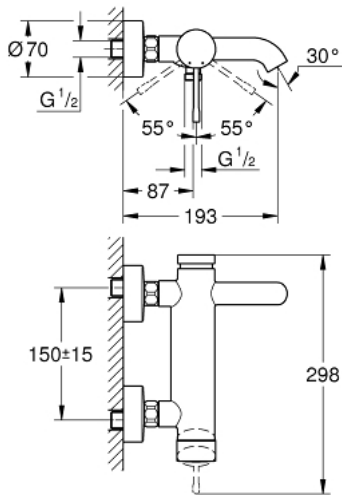
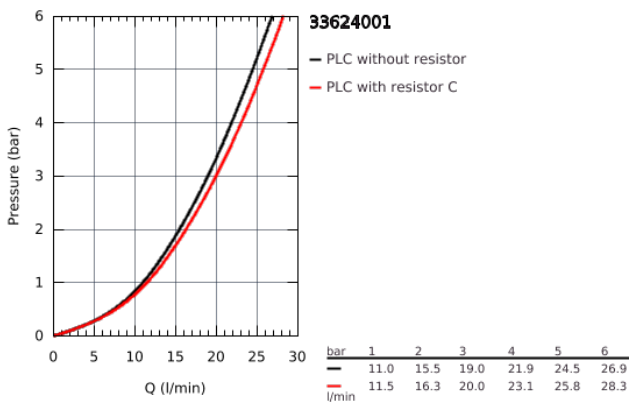


33 624 001 ESSENCE SINGLE-LEVER BATH/SHOWER MIXER 1/2"

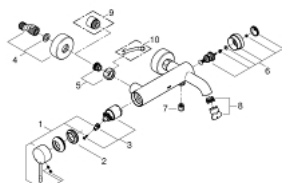


PRODUCT DESCRIPTION

- wall mounted
- metal lever
- **GROHE SilkMove** 35 mm ceramic cartridge
- with temperature limiter
- **GROHE StarLight** chrome finish
- automatic diverter: bath/shower
- mousseur
- shower outlet 1/2"
- integrated non-return valve
- S-unions
- protected against backflow



33 624 001 ESSENCE SINGLE-LEVER BATH/SHOWER MIXER 1/2"



SPARE PARTS, August 2013 – now

- 1: Lever (Order-nr. 46916000)
- 2: Screw coupling (Order-nr. 46460000)
- 3: Cartridge (Order-nr. 46374000)
- 4: S-union (Order-nr. 12662000)
- 5: Screw joint (Order-nr. 45044000)
- 6: Diverter (Order-nr. 46920000)
- 7: Non-return valve (Order-nr. 08565000)
- 8: Flow restrictor (Order-nr. 13926000)
- 9: Extension 3/4", 20 mm (Order-nr. 0713000M)*
- 10: Special Spanner (Order-nr. 19377000)*

* Optional accessories